

### FLANGEMOUNT 4" BLOWER

#### FEATURES

- Tough Reinforced Plastic Housing
- Universal Flexmount Bracket Permits Outlet to Face
- Slip-On Inlet Ducting Connection
- Efficient High Volume Air Flow
- Low-Current Draw
- Corrosion-Resistant Materials Throughout
- Complies with ISO 9097 MARINE
- N.M.M.A. Type Accepted
- Meets USCG Regulations 183.410 and ISO 8846 MARINE for Ignition Protection.

#### SPECIFICATIONS

Model	Air Flow	Voltage	Amps	Fuse Size	Weight lb
35440-0000	250 CFM (7.0 m <sup>3</sup> /min)	12 Vdc	12.0	15A	6 (2.7 kg)
35440-0010	250 CFM (7.0 m <sup>3</sup> /min)	24 Vdc	5.3	7-1/2A	6 (2.7 kg)

Jabsco blowers are primarily intended for intermittent duty cycles such as evacuating fuel vapors from bilge areas. If desired, they also may be used for other general air circulation applications with longer duty cycles. It should be noted that the maximum motor life is approximately 1000 hours. Therefore, the blower should only be used for applications if this length of service is acceptable.

#### INSTALLATION

**INSTALLATIONS MUST MEET APPLICABLE SECTIONS OF TITLE 33, PART 183; SUBPART K, USCG VENTILATION REGULATIONS.**

**MOUNTING:** Mount blower on flat bulkhead surface in highest part of compartment free from spray or deck wash. Blower may be rotated in mounting bracket to facilitate the shortest route of ducting. Use a suitable discharge fitting so that static pressure of blower will not be affected by change in wind direction. Route inlet ducting with as few bends as possible to lower 1/3 of the bilge compartment where vapors are likely to accumulate. Be sure ducting is positioned below top of engine stringers but not so low as to become submerged in bilge water. Locate pickup to take advantage of natural air flow direction.

**NOTICE:** Blower should be mounted away from extreme heat (more than 130°F) to prevent distortion of blower wheel or housing.


\*Additional warning placards are available from factory by requesting form 43003-0418.



Model 35440-Series

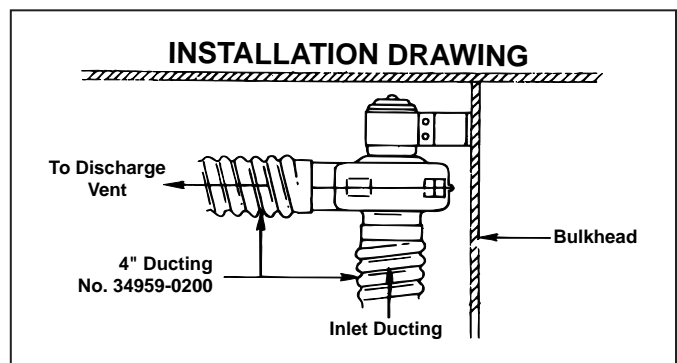
#### OPERATION

See following warning placard statement:

	<p><b>WARNING</b> Explosion hazard. If pump is operated in an area containing flammable vapors, motor wire leads must be joined by insulated mechanical locking connectors. Loose or inadequate wire connections can spark resulting in an explosion. Property damage, injury or death can occur.</p>
---	---

THE "WARNING" PLACARD SUPPLIED WITH BLOWER MUST BE MOUNTED ADJACENT TO ENGINE IGNITION SWITCHES (ALL LOCATIONS) TO COMPLY WITH TITLE 33, PART 183; SUBPART K, USCG VENTILATION REGULATIONS.\*

**WIRING:** Use stranded copper wire. For lengths up to 25 feet (7.6 m) from power source: Use 12 gauge wire for 12 volt, 14 gauge wire for 24 volt and 16 gauge wire for 32 volt model models. Use larger wire for longer lengths. Use a 10 amp rated on-off switch in positive side of circuit (Model 44960-0002 or 44960-0003). Circuit must be protected with a fuse. Suggested fuse sizes are listed in the specification table.



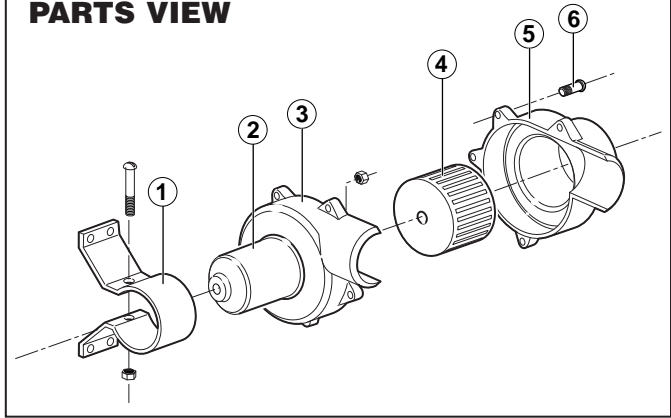
## MARINE SWITCH PANELS

These rocker switch panels are available in an attractive black textured finish. Select between two models with or without illumination. All lighted models are complete with silicon seal boot.

44960-0002 and 44960-0003 include durable stick-on labels for all popular screws.

Model	# Position	Elec. Rating
44960-0002	2 (on, off lighted)	10 amps/12 Vdc
44960-0003	2 (on, off unlighted)	10 amps.6-32 Vdc 10 amps/110 Vdc

## PARTS VIEW



## PARTS LIST

Key	Description	Qty.	Part Number
1	Bracket Assembly (includes screw & nut)	1	43899-0000
2	Motor Kit (includes mounting nuts)	1	
	12 VDC		18753-0320
	24 VDC		18753-0321
3	Blower Housing	1	35645-0000
4	Blower Wheel	1	35714-0000
5	Blower Housing	1	35644-0000
6	Screw 8 x 5/8 SS Self Tapping Pan Head	5	35508-0000

## PAR MARINE SWITCH PANELS



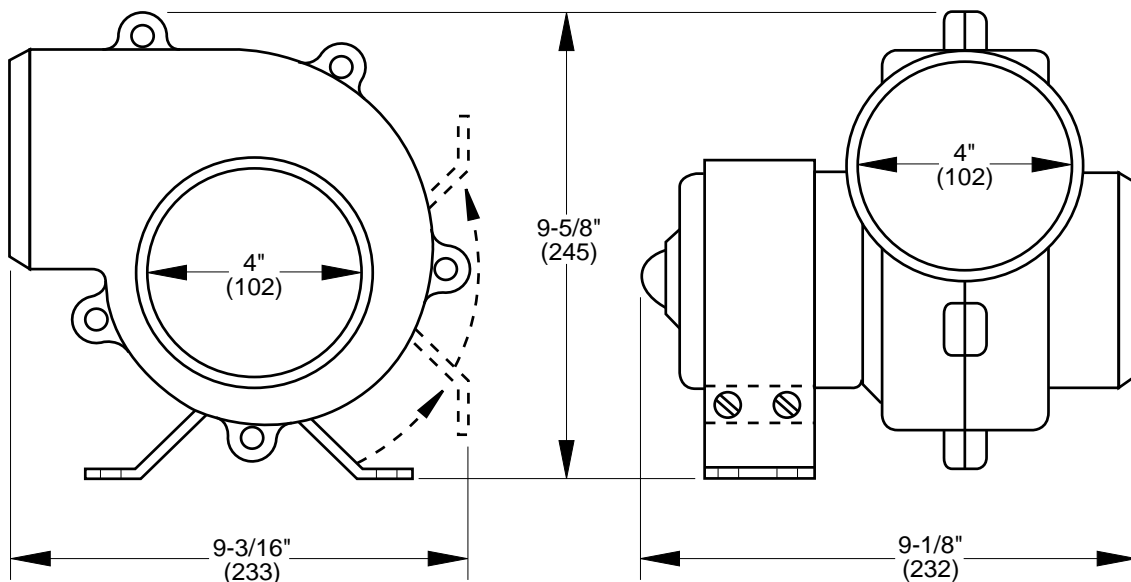
**44960-0002**  
Lighted Switch with Boot  
SPST

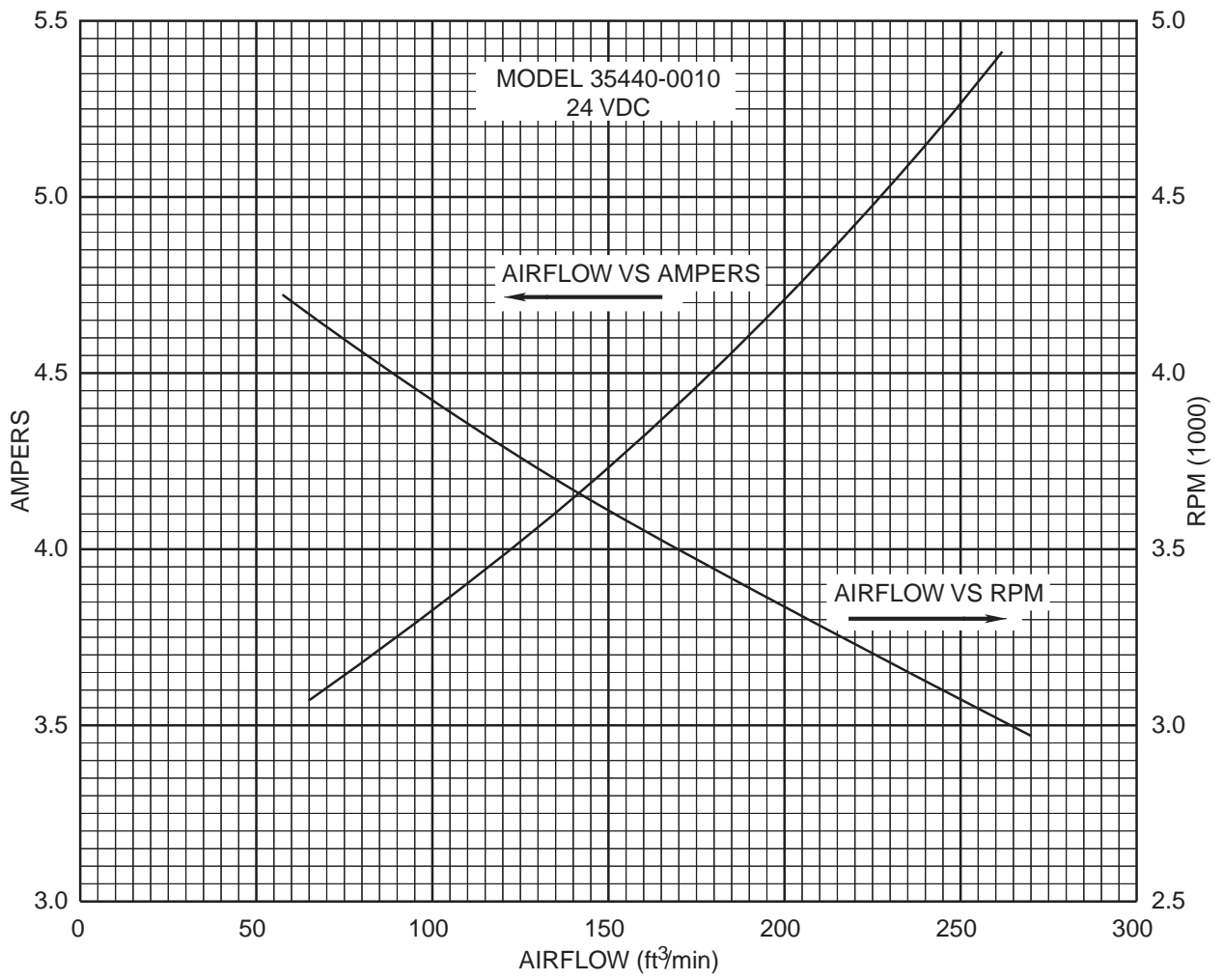
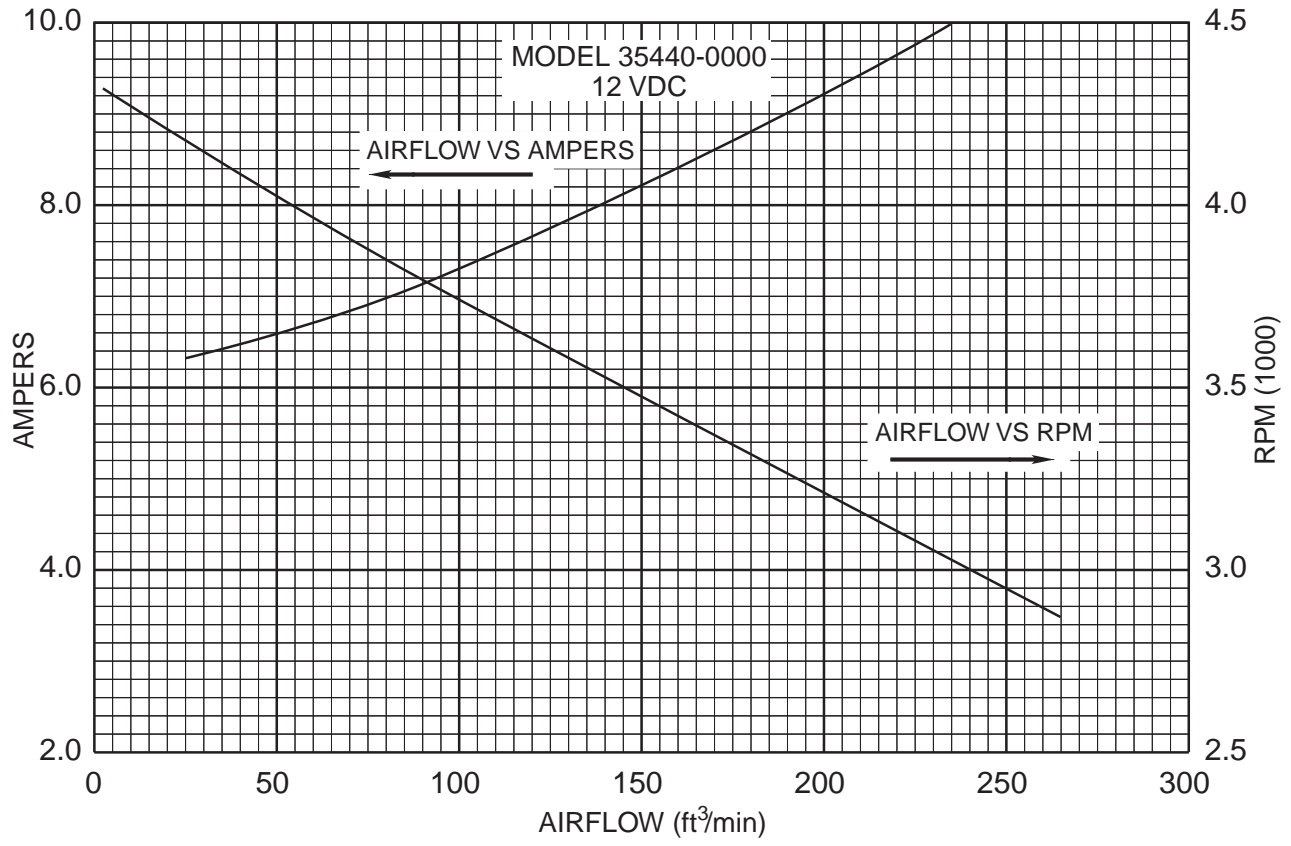


**44960-0003**  
Unlighted SPST

## DIMENSIONAL DRAWING

Inches (Millimeters)





# ONE YEAR LIMITED WARRANTY

## A. LIMITED WARRANTY:

Jabsco warrants that at the time of shipment, the products manufactured by Jabsco and sold hereunder shall be in conformity with applicable written specifications and descriptions referred to or set forth herein, free from defects in material and, merchantable, and suitable for a particular purpose, provided such is implied by State law under the circumstances of this sale.

## B. WARRANTY ADJUSTMENT:

1. Jabsco agrees to repair or furnish a replacement for, but not to remove or install, any product or component thereof which, within one (1) year from date of purchase, shall upon test and examination by Jabsco prove defective within the above warranty. Receipt verifying purchase date is required to obtain adjustment.
2. Buyer shall notify Jabsco of any defect within this warranty no later than ninety (90) days after the defect is discovered.

## C. EXCLUSIONS FROM WARRANTY AND LIMITATION OF LIABILITY:

1. The foregoing warranty is limited solely as set forth herein and applies only for the period designated above.
2. JABSCO SHALL NOT BE LIABLE FOR ANY LOSS, DAMAGE, SPECIAL OR CONSEQUENTIAL DAMAGE OF ANY KIND, WHETHER BASED UPON WARRANTY, CONTRACT, NEGLIGENCE, OR STRICT LIABILITY ARISING IN CONNECTION WITH THE SALE, USE, OR REPAIR OF THE PRODUCT.
3. THE MAXIMUM LIABILITY OF JABSCO IN CONNECTION WITH THIS WARRANTY SHALL NOT IN ANY CASE EXCEED THE CONTRACT PRICE FOR THE PRODUCT CLAIMED TO BE DEFECTIVE OR UNSUITABLE.

4. This warranty does not extend to any product manufactured by Jabsco which has been subjected to misuse, neglect, accident, improper installation, or use in violation of instructions furnished by Jabsco.
5. This warranty does not extend to or apply to any unit which has been repaired or altered at any place other than Jabsco's factory, or by persons not expressly approved by Jabsco, nor to any unit the serial number, model number, or identification of which has been removed, defaced or changed.
6. Components manufactured by any supplier other than Jabsco shall bear only that warranty made by the manufacturer of that product.
7. This warranty applies to products defined as "consumer products" by the Consumer Product Warranties Act as from time to time amended.

## D. CONSUMER RIGHTS:

This warranty gives you specific legal rights, and you may have other rights which vary from state to state. Some states do not allow exclusion or limitation of damages.

**STANDARD WARRANTY:** If the products manufactured and sold hereunder are not Consumer Products, the warranty extended to Buyer shall be as set forth in subparagraphs (A), (B), and (C), **EXCEPT THAT ALL EXPRESS OR IMPLIED WARRANTIES OR MERCHANTABILITY OR SUITABILITY FOR ANY PARTICULAR PURPOSE ARE EXCLUDED.**

---

[www.jabsco.com](http://www.jabsco.com)

THE PRODUCTS DESCRIBED HEREIN ARE SUBJECT TO THE JABSCO ONE YEAR LIMITED WARRANTY, WHICH IS AVAILABLE FOR YOUR INSPECTION UPON REQUEST.



For more information  
visit us online at [www.jabsco.com](http://www.jabsco.com)